

## **18. CANOPY**

606 020 172C

ASSY CANOPY

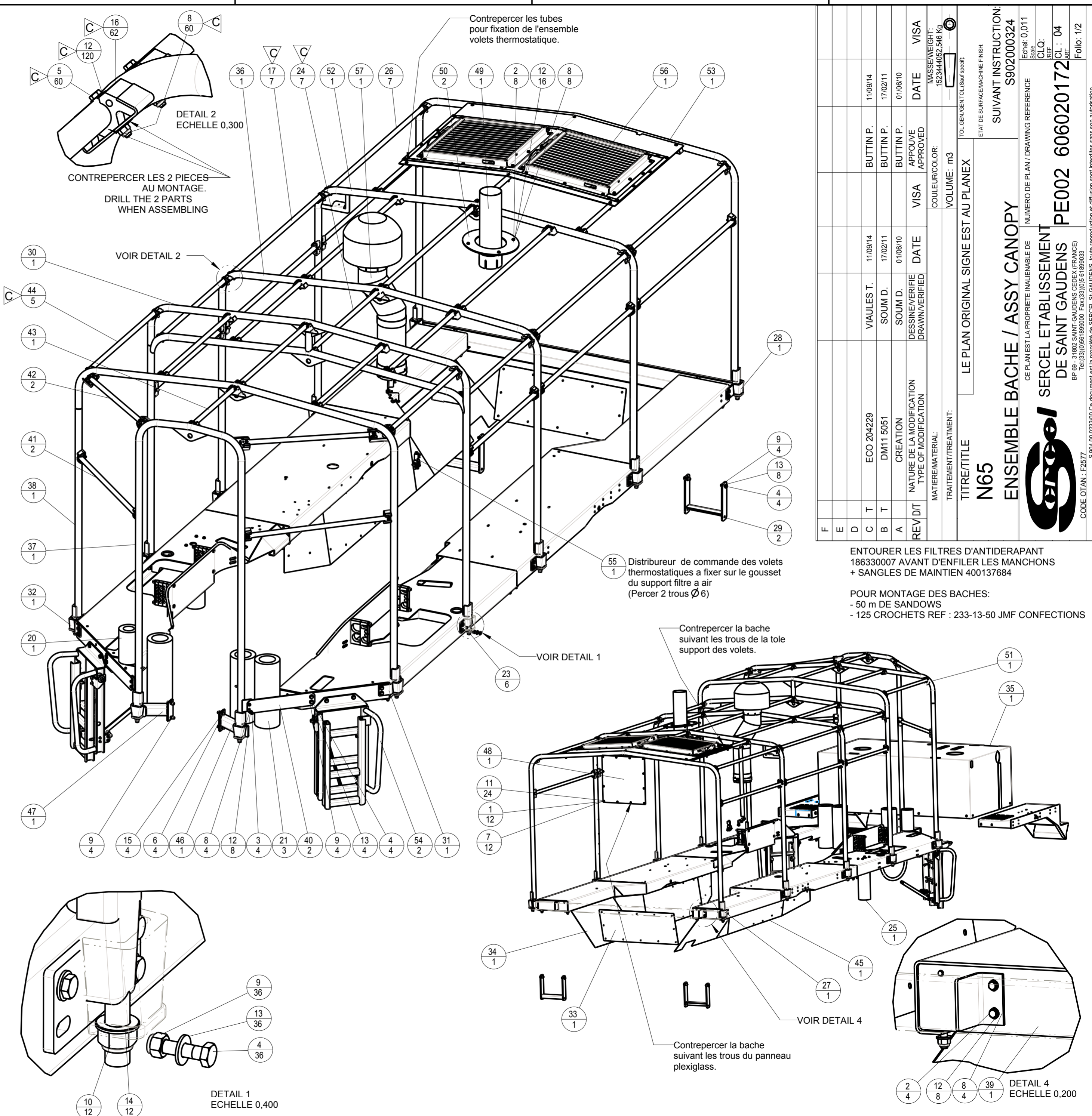
*ENSEMBLE BACHE*

604 290 574B

ASSY VALVE

*ENSEMBLE DISTRIB COMMANDE VOLETS*

REP	CODE	SERCEL	DESIGNATION	REFERENCE / SPECIF / LA	QTE	TYPE VIB.
ITM	PART	NUM.	DESCRIPTION	PART NUMBER / SPECIF.	QTY	VIB TYPE
	186330007		ANTIDERAPANT		1.5m	
	400137684		SANGLE A BOUCLE L:800		7	
	297060007		TUBE POLYAMIDE Ø6 NOIR		11m	
	790000139		GAINÉ SOUPLE Ø10		11m	
1	211111286		VIS H M6-25 8.8 ZB. / BOLT HEX ZINC-PLATED	SERCEL	12	
2	211111287		VIS H M8-25 8.8 ZB. / BOLT HEX ZINC-PLATED	SERCEL	12	
3	211111327		VIS H M8-30 8.8 ZB. / BOLT HEX ZINC-PLATED	SERCEL	4	
4	211111369		VIS H M12-40 8.8 ZB. / BOLT HEX ZINC-PLATED	SERCEL	44	
5	211111447		VIS H M8-60 8.8 ZB. / BOLT HEX ZINC-PLATED	SERCEL	60	
6	211334369		VIS CHC M12-40 12.9 NOIRE / BOLT HEX HEAD SOC	SERCEL	4	
7	216411060		ECROU M6, B. PLAST CL8 Z.B / NUT LOCK	SERCEL	12	
8	216411080		ECROU M8, B. PLAST CL8 Z.B / NUT LOCK	SERCEL	76	
9	216411120		ECROU M12, B. PLAST CL8 Z.B / NUT LOCK	SERCEL	48	
10	216411220		ECROU M22, B. PLAST CL8 Z.B / NUT LOCK	SERCEL	12	
11	217141060		RONDELLE M6,U,Z.B / PLAIN HEAVY DUTY WASHER	SERCEL	24	
12	217141080		RONDELLE M8,U,Z.B / PLAIN HEAVY DUTY WASHER	SERCEL	152	
13	217141120		RONDELLE M12,U,Z.B / PLAIN HEAVY DUTY WASHER	SERCEL	48	
14	217141220		RONDELLE M22,U,Z.B / PLAIN HEAVY DUTY WASHER	SERCEL	12	
15	217441120		RONDELLE Z12,U,Z.B / PLAIN HEAVY DUTY WASHER	SERCEL	4	
16	227940011		GUIDE CAOUTCHOUC / RUBBER SUPPORT	BRUSSON 1000 506	62	
17	400160284		FAITIERE AR & CENTRE / TUBE	SERCEL	7	
18	400160314		RALLONGE ECHAPPEMENT / MUFFLER EXTENSION	SERCEL	1	VOLVO engine
19	400160714		FLASQUE POUR ECHAPPEMENT /	SERCEL	2	VOLVO engine
20	400161044		DEBIT MANCHON H2000-32 M1 / INSULATING SLEEVE	HUTCHINSON	1	
21	400161054		DEBIT MANCHON H2000-32 M1 / INSULATING SLEEVE	HUTCHINSON	3	
22	400161194		RALLONGE FILTRE A AIR / AIR FILTER EXTENSION	SERCEL	1	VOLVO engine
23	400167963		SOUDAGE PLATINE 3 / PLATE WELDING	SERCEL	6	
24	400168224		FAITIERE / RIDGE-TUBE	SERCEL	7	
25	400178344		DEBIT MANCHON H2000-32 M1 / INSULATING SLEEVE	HUTCHINSON	1	
26	400186344		FAITIERE / TUBE	SERCEL	7	
27	400186353		SOUDAGE PLATINE AR PIED DE RANCHER / PLATE WELDING	SERCEL	1	
28	400186363		SOUDAGE PLATINE AR. PIED DE RANCHER / HOOP SUPPORT	SERCEL	1	
29	400186434		RALLONGE ECH. PARECHOC AR. / REAR LADDER EXTENSION	SERCEL	2	Track only
30	400187773		SOUDURE ARCEAU CENTRAL / HOOP	SERCEL	1	
31	400192123		SOUDAGE PLATINE / HOOP SUPPORT	SERCEL	1	
32	400192133		SOUDAGE PLATINE / HOOP SUPPORT	SERCEL	1	
33	400192243		WINT.BACHE FERMETURE AR. /	SERCEL	1	
34	400192253		WINT.BACHE LAT.GAUCHE / BOTH LEFT SIDE TARPULIN	SERCEL	1	
35	400192273		HOUSSE ISOTHERME RESERVOIR GO / FUEL TANK BLANKET	SERCEL	1	
36	400192283		SOUDURE ARCEAU / HOOP	SERCEL	1	
37	400192343		SOUDURE ARCEAU AVANT / HOOP	SERCEL	1	
38	400192413		SOUDURE - ARCEAU / HOOP	SERCEL	1	
39	400192453		SOUDURE TRAVERSE ARRIERE / REAR CROSSMEMBER	SERCEL	1	
40	400192484		PLATINE / PLATE	SERCEL	2	
41	400192494		FAITIERE / RIDGE-TUBE	SERCEL	2	
42	400192504		FAITIERE / RIDGE-TUBE	SERCEL	2	
43	400192514		FAITIERE / RIDGE-TUBE	SERCEL	1	
44	400192524		FAITIERE / RIDGE-TUBE	SERCEL	5	
45	400192533		WINT.BACHE LAT. DROITE / BOTH RIGHT SIDE TARPULIN	SERCEL	1	
46	400192543		SUPPORT ARCEAU AVT / FRONT HOOP SUPPORT	SERCEL	1	
47	400192553		SUPPORT ARCEAU AVT / FRONT HOOP SUPPORT	SERCEL	1	
48	400221933		FENETRE PLEXIGLAS / WINDOW	SERCEL	1	
49	400223854		RALLONGE ECHAPPEMENT / EXT EXHAUST PIPE	SERCEL	1	CAT engine
50	400223884		TOLE ECHAPPEMENT / EXHAUST GUARD	SERCEL	2	CAT engine
51	400245752		BACHE 2010 / CANOPY	SERCEL	1	
52	400245763		SOUDURE ARCEAU CENTRAL 3 / HOOP	SERCEL	1	
53	400245773		ARCEAU ARRIERE / REAR HOOP	SERCEL	1	
54	604160112		ECH. COULLISSANTE / TELESCOPIC LADDER	SERCEL	2	
55	604290574		ENS. DISTRIB. COMMANDE VOLETS / ASSY VALVE	SERCEL	1	
56	604790863		KIT VOLETS THERMOSTATIQUES / SHUTTER KIT	SERCEL	1	
57	606020194		ENS. RALLONGE FILTRE AIR / AIR FILTER INLET EXTENSION	SERCEL	1	CAT engine



ECO 204229	11/09/14	BUTIN P.	11/09/14	DATE	VISA	MASS/WEIGHT: 152344/462.546 kg
DM11 5051	17/02/11	BUTIN P.	17/02/11	DATE	VISA	COULEUR/COLOR: m3
CREATION	01/06/10	BUTIN P.	01/06/10	DATE	VISA	TOL.GEN/GEN.TOL (Sous Approv)
DESINE/VERIFIE		APPROUVE				ETAT DE SURFACE/MACHINE FINISH: SUIVANT INSTRUCTION S902000324
DRAWN/VERIFIED		APPROUVE				NUMERO DE PLAN / DRAWING REFERENCE: N65
NATURE DE LA MODIFICATION		APPROUVE				CE PLAN EST LA PROPRIETE INALIENABLE DE SERCEL ETABLISSEMENT DE SAINT GAUDENS
TYPE OF MODIFICATION		APPROUVE				Scale: 0,011
		APPROUVE				REF: PE002 606020172
		APPROUVE				CL: 04
		APPROUVE				ART: 1/2
		APPROUVE				Folio: 1/2

ENTOURER LES FILTRES D'ANTIDERAPANT 186330007 AVANT D'ENFILER LES MANCHONS + SANGLES DE MAINTIEN 400137684

POUR MONTAGE DES BACHES:  
 - 50 m DE SANDOWS  
 - 125 CROCHETS REF : 233-13-50 JMF CONFECTIONS

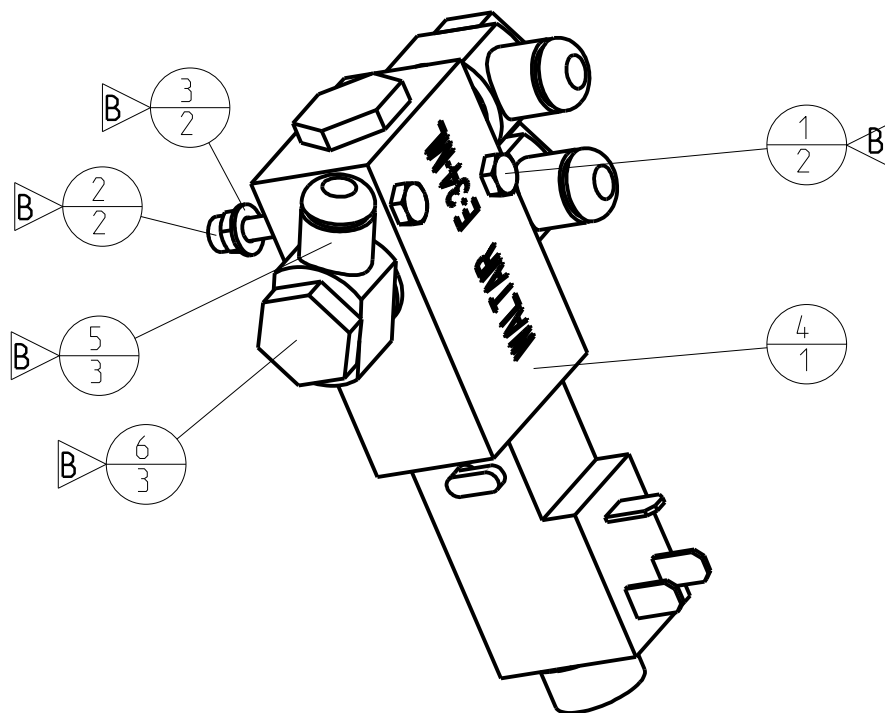
# VERSION MOTEUR CAT C13



B

A

REP ITM	CODE SERCEL PART NUM.	DESIGNATION DESCRIPTION	REFERENCE / SPECIF. / LA PART NUMBER / SPECIF.	QTE QTY
1	10008870	VIS H M4-40/14 8.8 ZINGUEE / BOLT HEX ZINC-PLATED	SERCEL	2
2	216411040	ECROU M4, B. PLAST CL8 Z.B / NUT LOCK	SERCEL	2
3	217141040	RONDELLE M4,U,Z.B / PLAIN HEAVY DUTY WASHER	SERCEL	2
4	292400015	DISTR. PNEUM. 3/2 CDE ELECT / VALVE	WALTAIR:E-34-ML	1
5	295702003	COUDE BANJO I S TUYAU DIA 6 / ELBOW	PARKER CORPB6-13	3
6	295702004	VIS I ETAGE AVEC JOINT 1/4 / BOLT I LEVEL	SERCEL	3



F								
E								
D								
C								
B	T	ECO 202096	VIAULES T.	31/07/13		BUTTIN P.	31/07/13	
A		CREATION	SOUM D.	07-Jun-10		BUTTIN P.	07-Jun-10	
REV D/T		NATURE DE LA MODIFICATION TYPE OF MODIFICATION	DESSINE/VERIFIE DRAWN/VERIFIED	DATE	VISA	APPOUVE APPROVED	DATE	VISA

MATIERE/MATERIAL:

COULEUR/COLOR:

MASSE/WEIGHT:  
0,001 T

TRAITEMENT/TREATMENT:

VOLUME: m3

TITRE/TITLE

LE PLAN ORIGINAL SIGNE EST AU PLANEX

TOL.GEN./GEN.TOL.(Sauf specif):

N65

ETAT DE SURFACE/MACHINE FINISH:

ENS. DISTRIB. COMMANDE VOLETS / ASSY VALVE

SUIVANT INSTRUCTION:  
S902000324

CE PLAN EST LA PROPRIETE INALIENABLE DE  
**SERCEL ETABLISSEMENT  
 DE SAINT GAUDENS**

NUMERO DE PLAN / DRAWING REFERENCE  
**PE003604290574**

Echel: 0,750  
 Scale  
 CLO:  
 /REF  
 CL: 04  
 ART  
 Folio: 1/1

CODE OTAN: F2577

BP 69 - 31802 SAINT-GAUDENS CEDEX (FRANCE)  
 Tel:(33)(0)561899000 Fax:(33)(0)5 61899033

S 904 00 0233/00 Ce document est la propriété de SERCEL ST-GAUDENS, toute reproduction et diffusion sont interdites sans son autorisation

B

DRW 604290574 Version AB

A